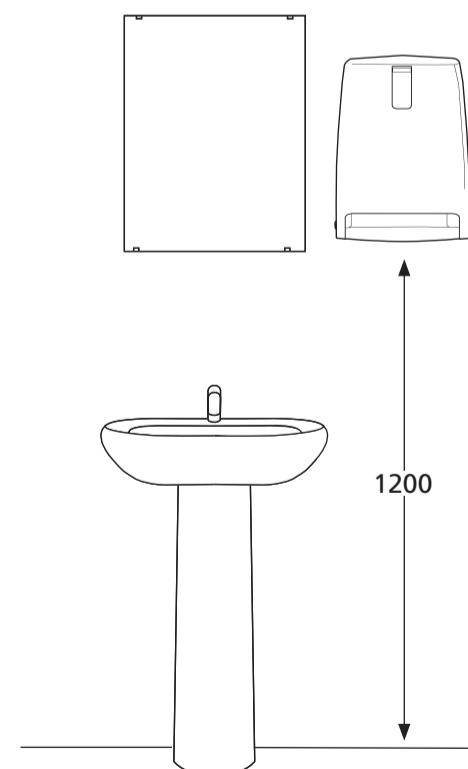
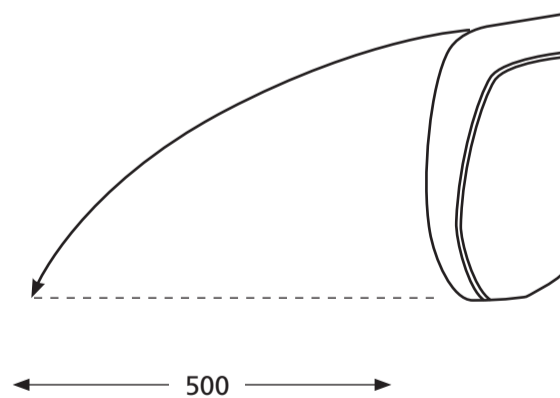
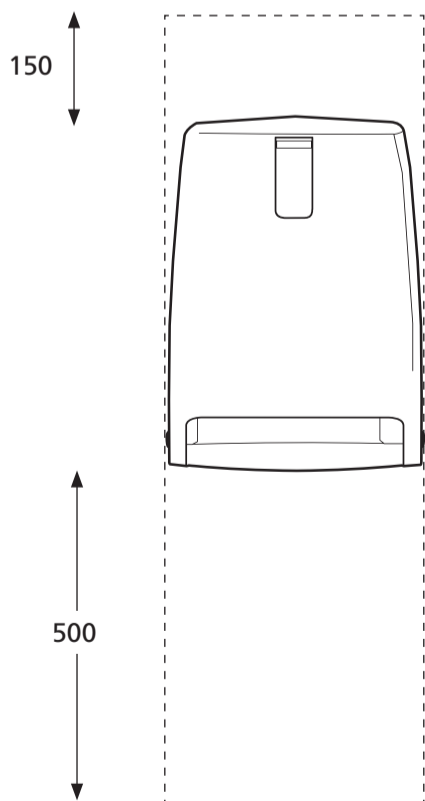
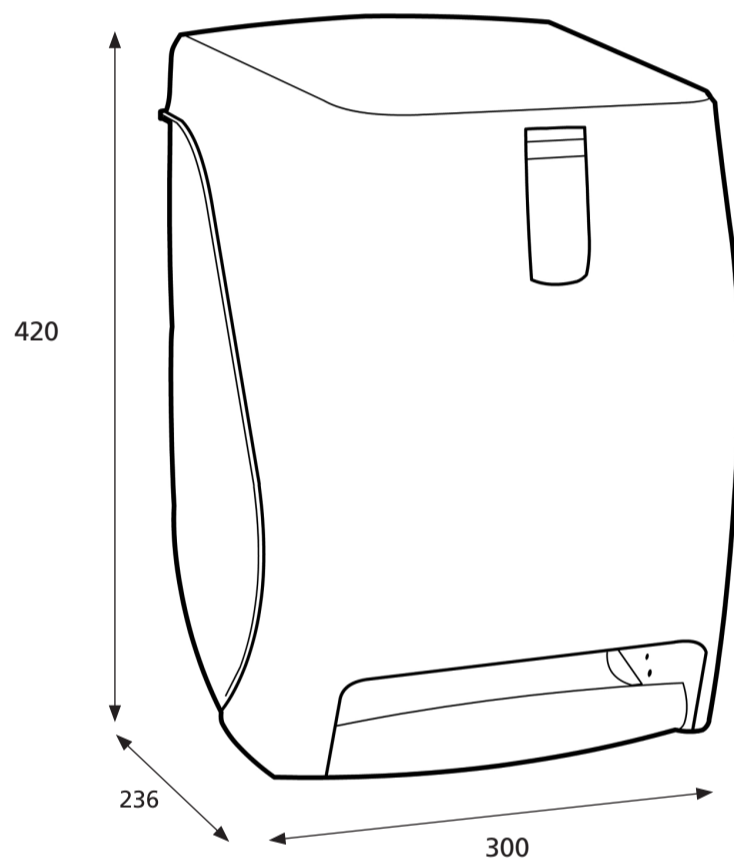
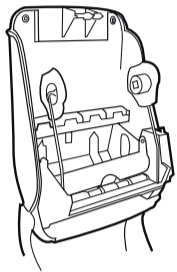


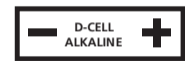
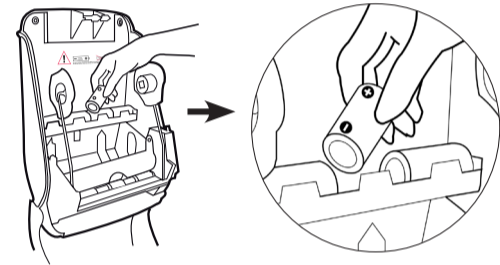
956051
Katrin Ease Towel Dispenser



1.



2.

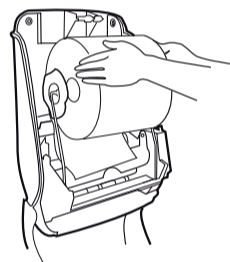


**4 D-cell
alkaline only**

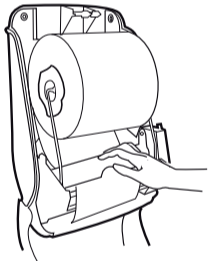


**DO NOT USE
rechargeable batteries**

3.



4.



Katrin Ease Towel Dispenser

Mounting Instructions

Refer to separate mounting instruction sheet.

Paper Loading & Transfer Instructions

Refer to enclosed loading & transfer instruction sticker

USE ONLY KATRIN EASE HANDTOWEL ROLLS DESIGNED FOR THIS DISPENSER.

Battery Loading

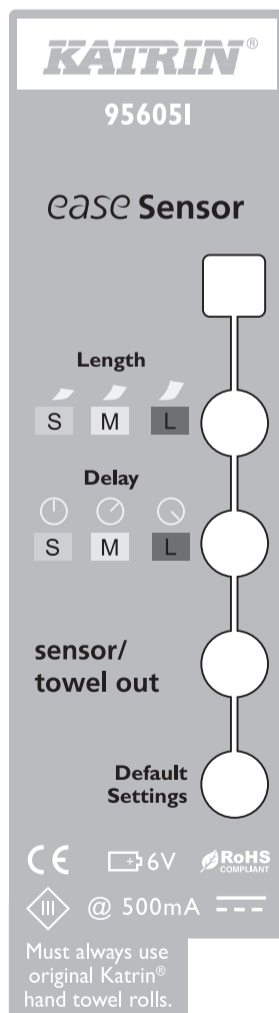
The Smart System is designed to work with 4-D cell Alkaline batteries. Take care to load batteries in correct orientation, with positive end of battery towards the right as you are facing the dispenser.



Do not use re-chargeable or NiCad batteries in this dispenser as it will cause damage.



Adjusting Settings



- 1 - LED
- 2 - LENGTH ADJUSTMENT
- 3 - DELAY
- 4 - SENSOR
- 5 - FACTORY DEFAULT SETTINGS

Using the Dispenser

After loading paper & adjusting settings, simply close the cover. The appropriate towel length will be dispensed and the Smart System is now ready for operation.

Problems

Typical problems can be solved by opening and closing cover. If that fails to resolve problem, try removing and then reinserting the batteries. If that fails, try replacing with new batteries.

1 LED

This light is the status indicator. When cover is open (service mode) light will flash indicating battery status.

LIGHT PATTERN	BATTERY STATUS
Green-Yellow-Green	Good
Green-Red (alternating)	Bad

2 Length Adjustment

Towel length can be adjusted by pressing button. Each time button is pressed the towel length that will be dispensed will change. Every time that the length is adjusted the LED light will flash indicating the length that has been selected.

INDICATOR	LENGTH	LED COLOR
Short (S)	20cm	Green
Medium (M)	30cm	Yellow
Long (L)	40cm	Red

3 Delay

Dispensing delay is adjusted with this button. Each press of the button changes the delay time between paper dispensings. A LED light indicates which delay time has been selected. Note: the delay time is set in Sensor Mode and applies to the sensor activity.

INDICATOR	DELAY	LED COLOR
Short (S)	0 second	Green
Medium (M)	1.5 second	Yellow
Long (L)	3 second	Red

4 Ease Sensor

The Ease Sensor has two operating modes. Default is SENSOR MODE. One sheet of paper is automatically dispensed after inserting batteries and closing the cover. Sensor Mode is activated when you tear off this sheet. Second operating mode is TOWEL OUT MODE. In this mode, a new sheet of paper is automatically dispensed when an exposed sheet is torn off. Push button to toggle mode. The LED light indicates the selected mode.

MODE	LED COLOR
Towel Out	Green
Sensor	Yellow

5 Factory Default Settings

Pressing this button will change settings to the factory default settings. Pressing this button is indicated by a rapid red/green fluttering LED light.

LENGTH	30CM
Delay	0 second
Mode	Sensor